



Avis Furniture Company

CAST IRON TABLE BASES

"B" SERIES BASE



MODEL NO.	BASE SPREAD
B - 522	22" T BASE
B - 530	30" T BASE
B - 22	22" X 22"
B - 2230	22" X 30"
B-2434	24" X 34"
B - 30	30" X 30"
B - 36	36" X 36"
B - 40	40" X 40"

B-22

Square Top		Rect. 24" Tops		Rect. 30" Tops		Rect. 36" Tops		Round Tops	
24" Sq.	B22	24"x30"	B-22	30"x36"	B-2230	36"x48"	(2) B-522	30" Rd.	B-22
30" Sq.	B22	24"x36"	B-2230	30"x48"	(2) B-522	36"x60"	(2) B-2230	36" Rd	B-22
36" Sq.	B30	24"x48"	(2) B-522	30"x60"	(2) B-522	36"x72"	(2) B-2230	42" Rd.	B-30
42" Sq.	B36	24"x60"	(2) B-522	30"x72"	(2) B-522	36"x96"	(2) B-2230	48" Rd.	B-36
48" Sq.	B36	24"x72"	(2) B-522	30"x96"	(2) B-22			60" Rd.	B-36

"C" SERIES BASE



MODEL NO.	BASE SPREAD
C-17	17" DIA.
C-22	22" DIA.
C-28	28" DIA.

C22

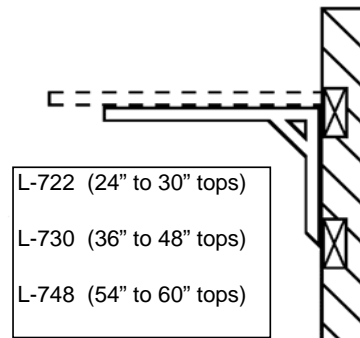
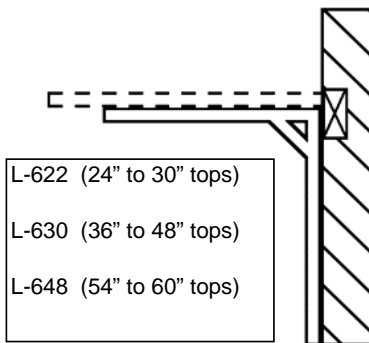
Square Top		Rect. 24" Tops		Rect. 30" Tops		Rect. 36" Tops		Round Tops	
24" Sq.	C-17	24"x30"	C-17	30"x36"	C-22	36"x48"	C-28	30" Rd.	C-17
30" Sq.	C-17	24"x36"	C-22	30"x48"	C-22	36"x60"	(2) C-22	36" Rd	C-17
36" Sq.	C-22	24"x48"	C-22	30"x60"	(2) C-22	36"x72"	(2) C-22	42" Rd.	C-22
42" Sq.	C-28	24"x60"	(2) C-17	30"x72"	(2) C-22	36"x96"	(2) C-22	48" Rd.	C-28

48" Sq.	C-28	24"x72"	(2) C-17	30"x96"	(2) C-22			60" Rd.	C-28
---------	------	---------	----------	---------	----------	--	--	---------	------



STEEL CANTILEVER BRACKETS

MODEL NO.
L - 622
L - 630
L - 648
L - 722
L - 730
L - 748

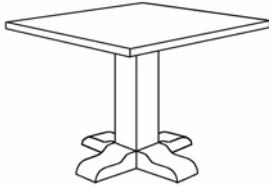


Pin Leg and Angle Bracket available for table tops in excess of 48" in length



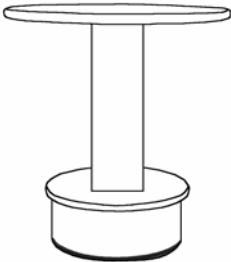
WOOD TABLE BASES

WOOD "X" BASE



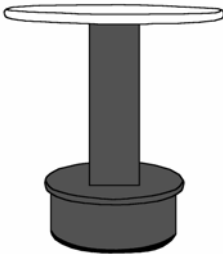
MODEL NO.	BASE SPREAD	HEIGHT
WXB-2428	24"	28"
WXB-3028	30"	28"
WXB-3628	36"	28"
WXB-3041	30"	41"
WXB-3641	36"	41"

WOOD ROUND BASE



MODEL NO.	BASE SPREAD	HEIGHT
WRB-24	24"	41"
WRB-36	36"	41"

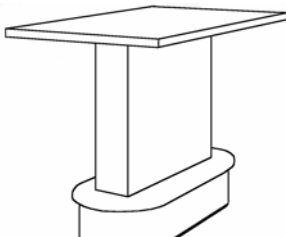
CARPETED ROUND BASE



MODEL NO.	BASE SPREAD	HEIGHT
CRB-24	24"	41"
CRB-36	36"	41"

Note: Available in black carpet only

WOOD OVAL BASE



MODEL NO.	BASE SPREAD	HEIGHT
WOB	18"-42"	41"

For 30" x 48" Table Top

WOB	24"-48"	41"
-----	---------	-----

For 30" x 60" Table Top

U